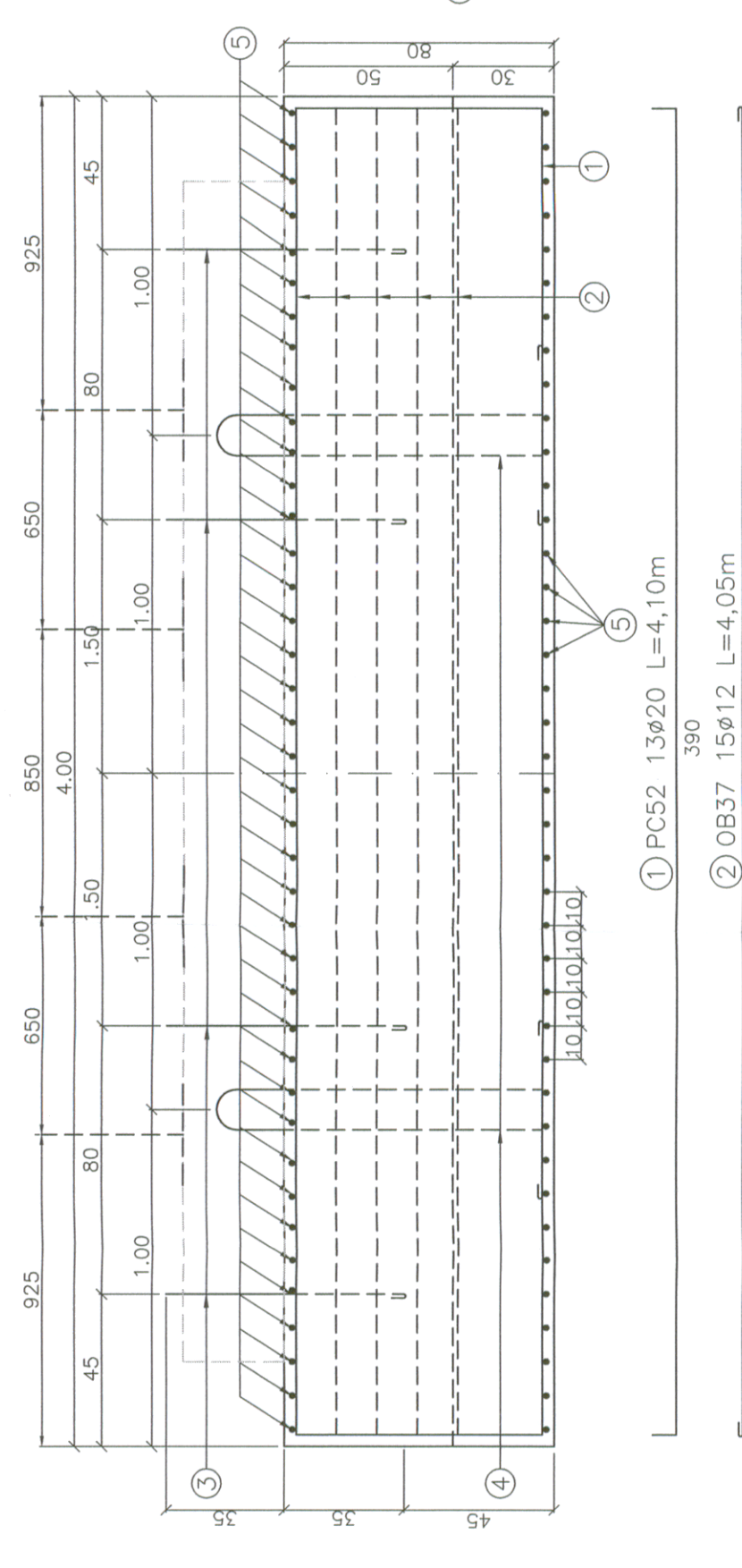
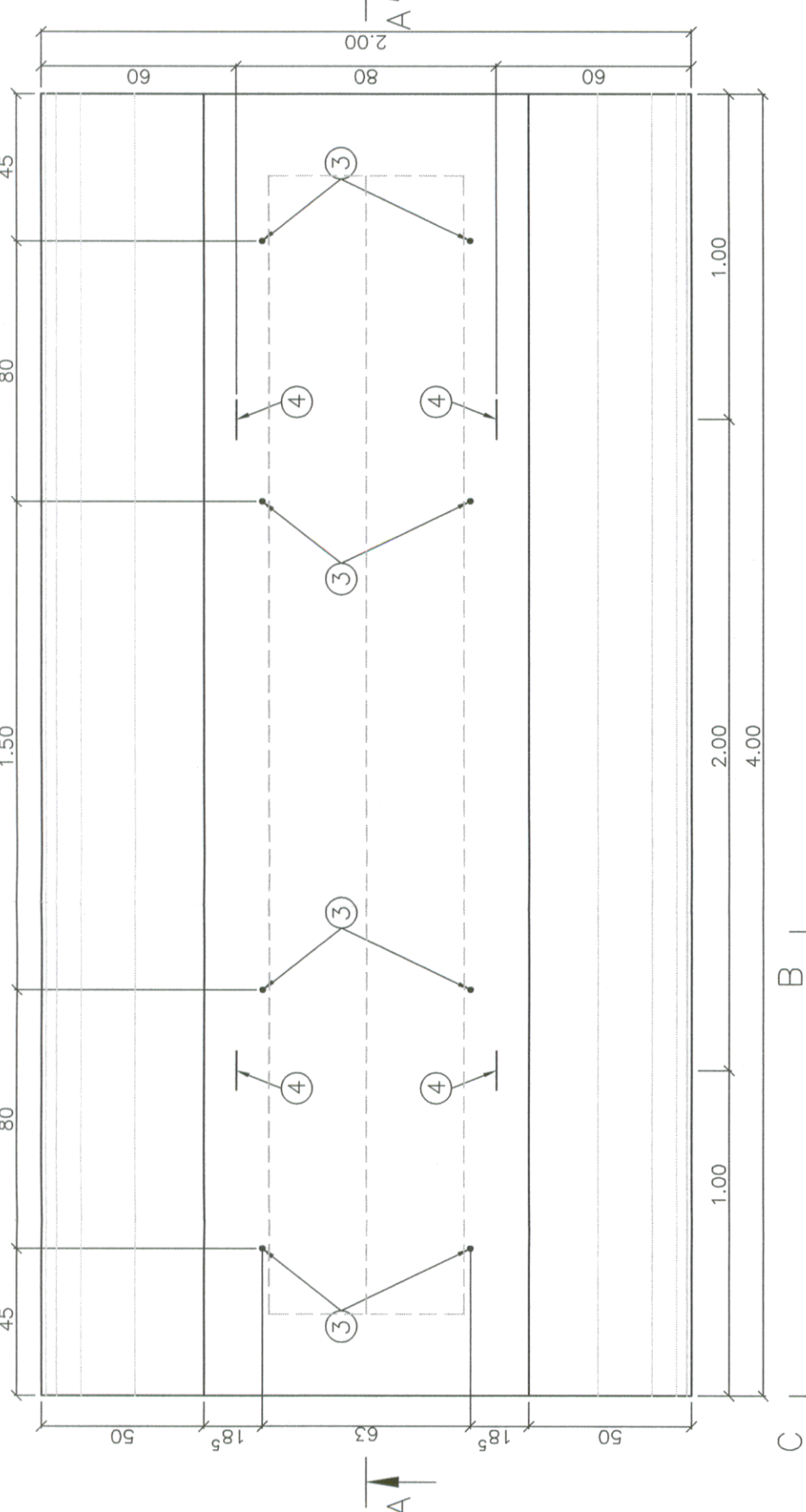


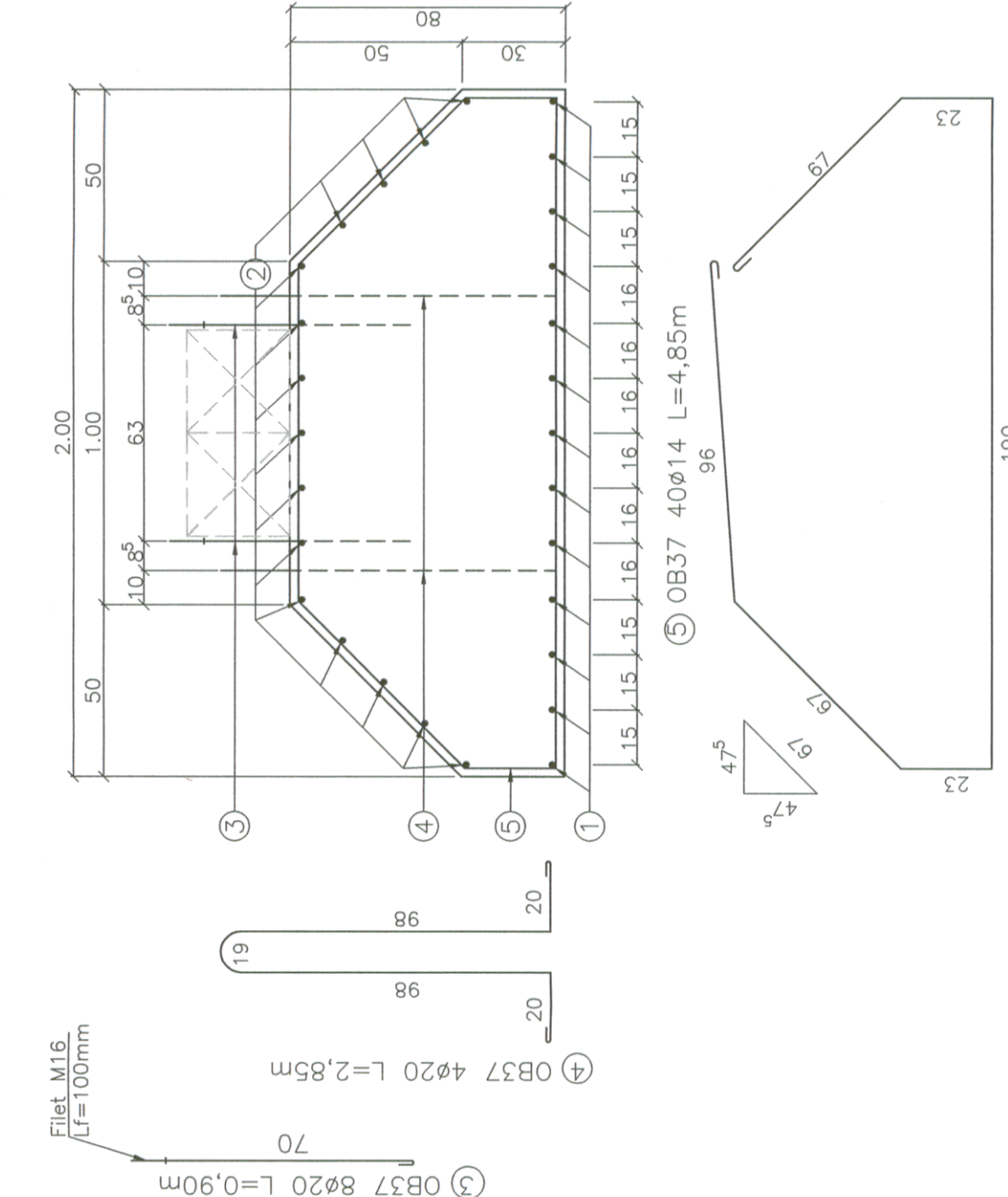
SECTIUNE A-A
A-A SECTION



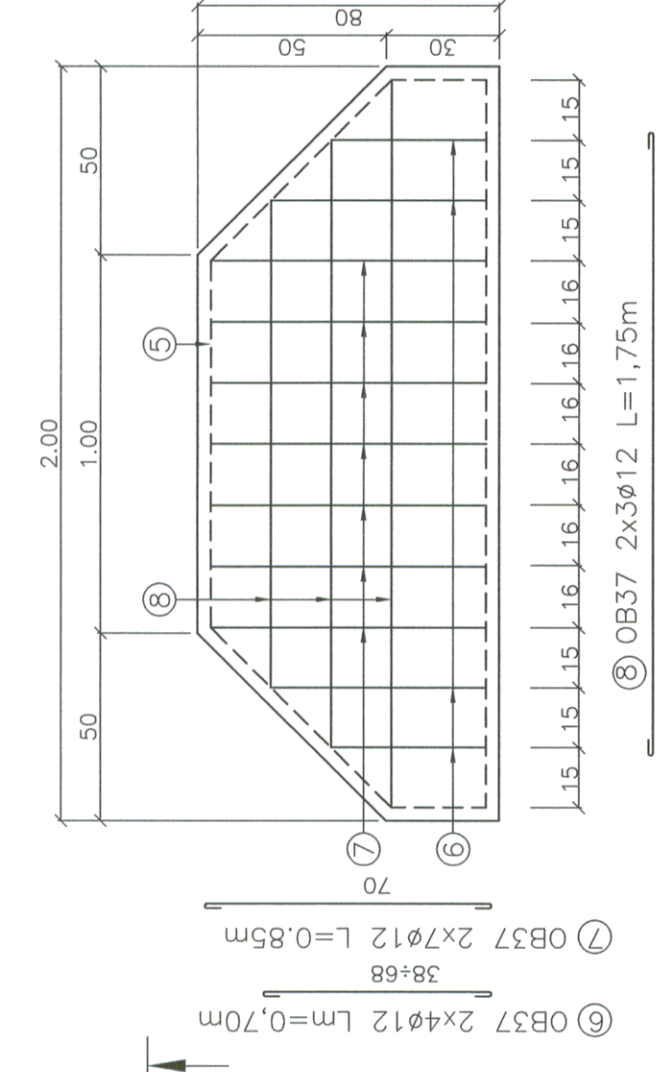
VEDERE PLANA
PLAN VIEW



SECTIUNE B-B
B-B SECTION



SECTIUNE C-C
C-C SECTION



EXTRAS DE ARMATURA PENTRU O FUNDATIE
REINFORCEMENT TABLE FOR ONE FOUNDATION

Metals / Pieces	Diem / Pieces	Lungime / Length	Lungime / Diameter	PCS2 / Length Diameter	PCS2 / Diameter
1	20	4.10	Ø14	Ø20	53.30
2	20	4.05	Ø14	Ø20	53.30
3	20	0.90	Ø14	Ø20	53.30
4	20	2.85	Ø14	Ø20	53.30
5	14	4.85	Ø14	Ø20	53.30
6	12	1.75	Ø14	Ø20	53.30
7	12	0.85	Ø14	Ø20	53.30
8	12	0.90	Ø14	Ø20	53.30
Total Length Diameter		88.75	194.00	18.00	53.30
Gruvatare Lungime (kg/m)		0.888	1.208	2.486	2.486
Weght/Lenght (kg/m)		79.00	235.00	46.00	132.00
Gruvatare armatura (kg)					482.00
Reinforcement weight (kg)					482.00

Corlat
Formwork
Betón C16/20
Gruvatare
Armatura
Reinforcement
Plufile M16
Bolt nuts M16
Acoperire beton
Concrete cover

18.75mp
5.40mc
13.50t
OB37, PCS2
8buc.
5 cm



B	Date	Modificare	AUTORITATEA CONTRACTANTIA / CONTRACTING AUTHORITY	Contract / Contract
A				
BENEFICIAR BENEFICIARY: ROMANIAN RAILWAY NATIONAL COMPANY		AUTORITATEA DE IMPLEMENTARE / IMPLEMENTING AUTHORITY: Ministerul Economiei si Finantelor Publice / Ministry of Economy and Finance		Contract / Contract
Proiectant / Designer: Ing. Vana-Ora Cristina		Proiectant / Designer: Ing. Vana-Ora Cristina		Contract / Contract
Verificator / Checker: Ing. Sanda Bogdan		Verificator / Checker: Ing. Sanda Bogdan		Contract / Contract
Serviciu / Service: Ing. Stelian Vana-Ora		Serviciu / Service: Ing. Stelian Vana-Ora		Contract / Contract
Scara / Scale: 1:50		Scara / Scale: 1:50		Contract / Contract
Data / Date: 08.2008		Data / Date: 08.2008		Contract / Contract
Descriere / Description: PUNTAIE PREGATITE PENTRU FUNDATIE		Descriere / Description: PUNTAIE PREGATITE PENTRU FUNDATIE		Contract / Contract
Nr. / No: PT 239		Nr. / No: PT 239		Contract / Contract